

N1-06a Sales & Application Note

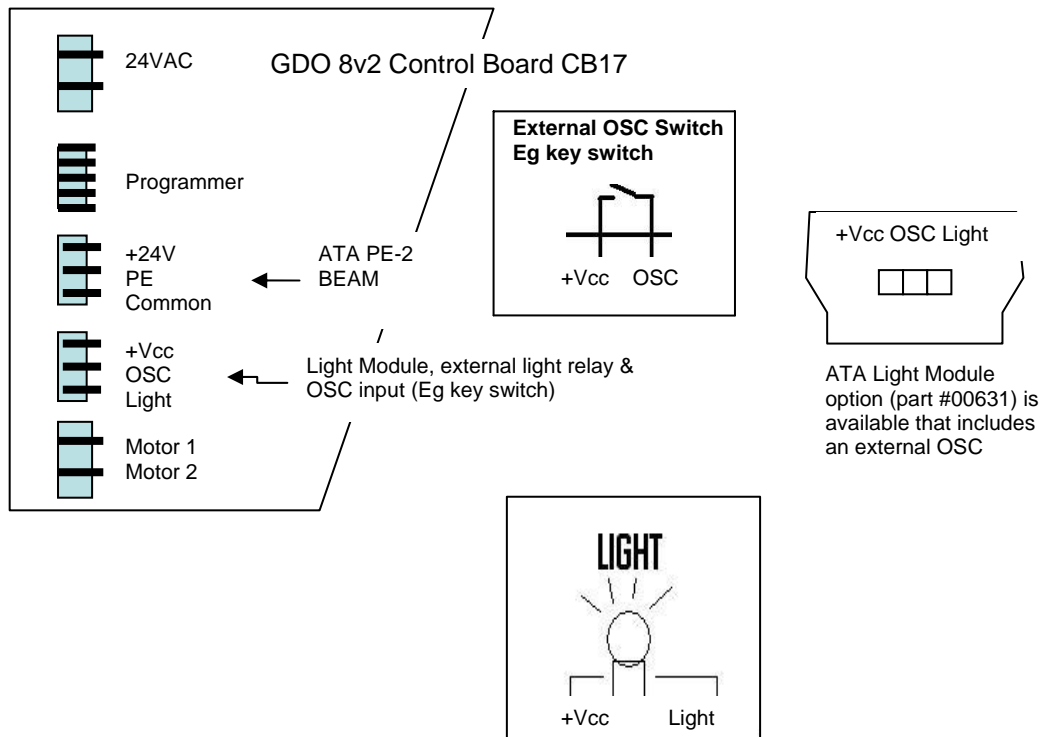
GDO 8 Accessory connection details

Feature update:

- Aug 2006: GDO 8v1 was replaced with the GDO8v2 in Aug 2006. Control Board version CB17 v1.02 was used in the GDO 8v1 and the GDO 8v2 uses the CB17 v1.04.

The GDO 8v2 unit has under gone a number of changes which include;

- A new 3 pin connector (marked EXT on pcb) which allows an OSC (Open Stop Close) button or keyswitch to be wired in and a courtesy light output voltage of 24v dc for 24 volt bulbs or light relay modules for switching higher wattage lighting. See wiring diagram below.
- The GDO 8v2 does not have the Auto Close feature.



IMPORTANT; the cable gland provided with the GDO8v2 must be correctly sealed to minimise dust and moisture. It can handle up to a 7mm diameter cable.

N1-06a Sales & Application Note

- External CRX2 connect with GDO8/Shedmaster

This will increase receiver code storage capacity from 8 x 4 Button Transmitter Code
To 111 x 4 Button Transmitter Code

